

It's the Little Things  
that Matter!

**Spare Parts Service**

## Spare parts service: reliable & speedy

One of the central promises we make to our customers is the following pledge: **We guarantee REITZ quality** to German standards. This encompasses **excellent engineering and design, first-class design quality and high performance made by REITZ.**

And, what if something is worn out or broken? Well, then you can expect our service performance to be of the same excellent quality that applies to all our other products. This means **competent advice** from our specialists, **speedy response times** and **spare parts (including from other manufacturers) to proven REITZ standards** that minimise the risk of breakdowns and associated downtimes for your plant.



To ensure rapid processing of your problem, please remember our **6-DIGIT SERIAL NUMBER** which you can find on the name-plate or in the documentation.

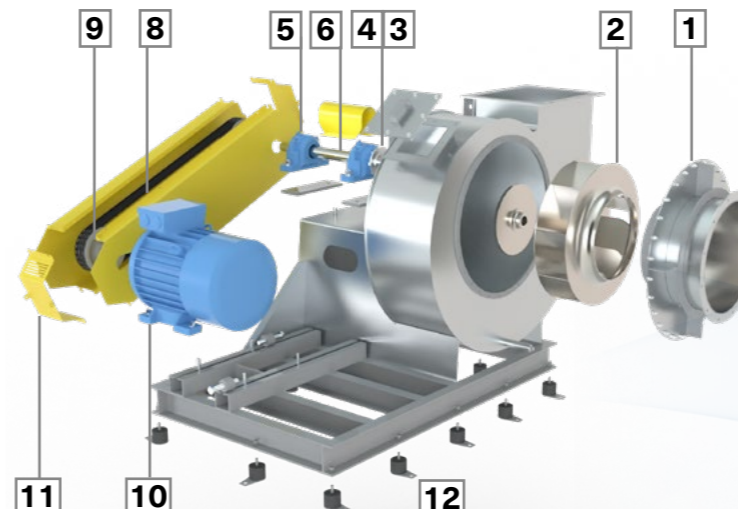
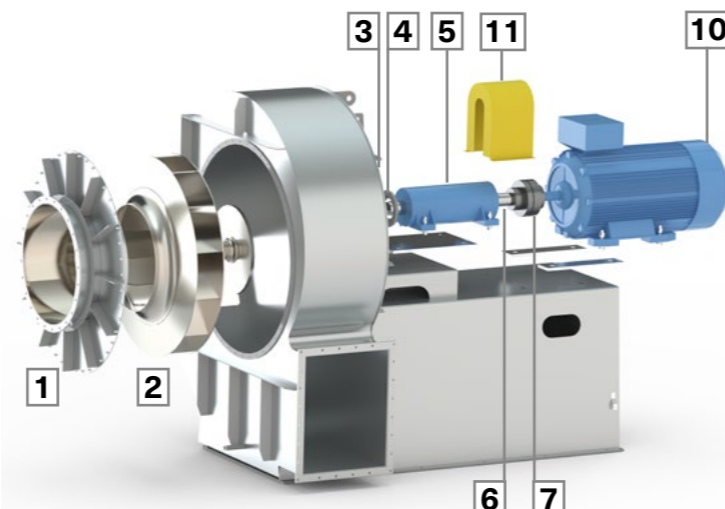
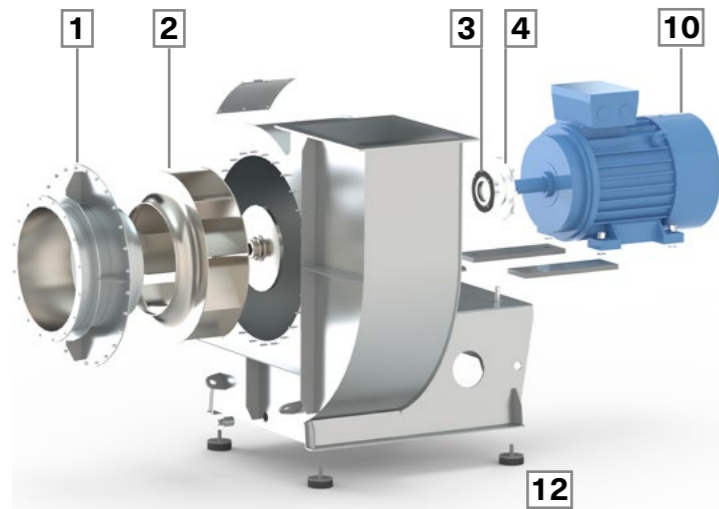
## Spare parts list

- |                       |                           |
|-----------------------|---------------------------|
| 1. Housing cover      | 7. Coupling               |
| 2. Impeller incl. hub | 8. V-belt                 |
| 3. Shaft seal         | 9. Pulley                 |
| 4. Heat flinger       | 10. Drive motor           |
| 5. Bearings           | 11. Safety guards         |
| 6. Shaft              | 12. Anti-vibration mounts |

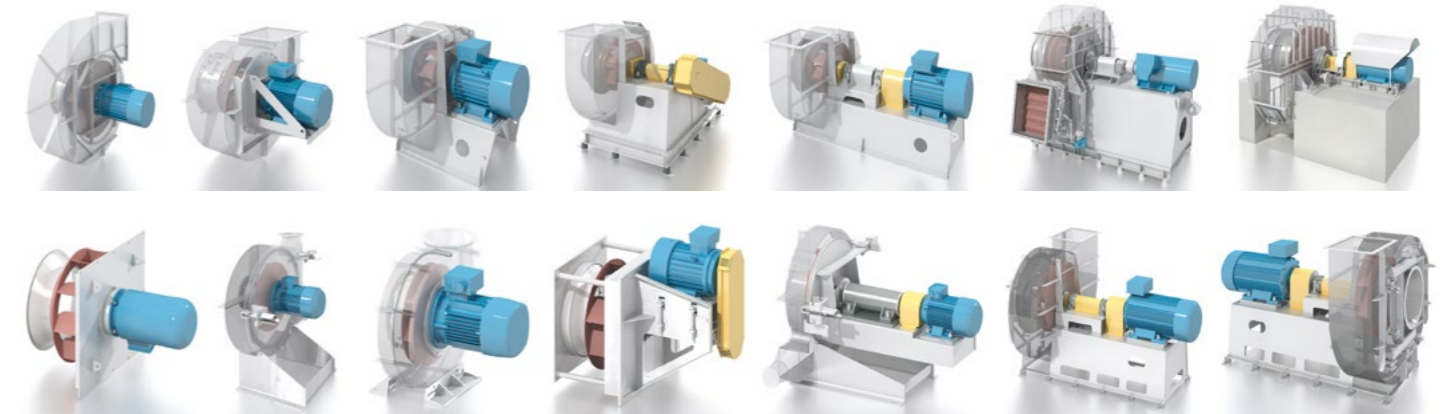
### Spare parts and accessories

- Dampers
- Filter cartridges
- Flexible connections
- Coupling inserts
- Sealing rings and many more

Other spare parts and accessories are available on request. **We're happy to advise you!**



## Typical designs



The choice of spare and wear parts depends on specific project needs, the operating criteria indicated below and availability requirements.

- Dust content
- Dust characteristics (abrasive, sticking)
- Temperature of handled gas
- Installation site (indoor, outdoor)
- Operating mode / Operating method / Load cycle

Many years of experience and cooperation with plant manufacturers and operating companies mean that we can promise tailored solutions for the following periods:

- Commissioning
- 2-year operation (guarantee)
- 5-year operation

You can also rely on our support for repairs. Try our comprehensive range of services – you're sure to be impressed.

## Your advantages



### Cost savings through

- lower inventory levels
- lower maintenance and repairs
- longer equipment runtime

### Reduction / shortening of downtimes through

- original parts from manufacturer
- targeted advice from specialists
- targeted maintenance
- speedy delivery
- crash management

### Efficiency through

- optimum price-performance ratio for the entire process



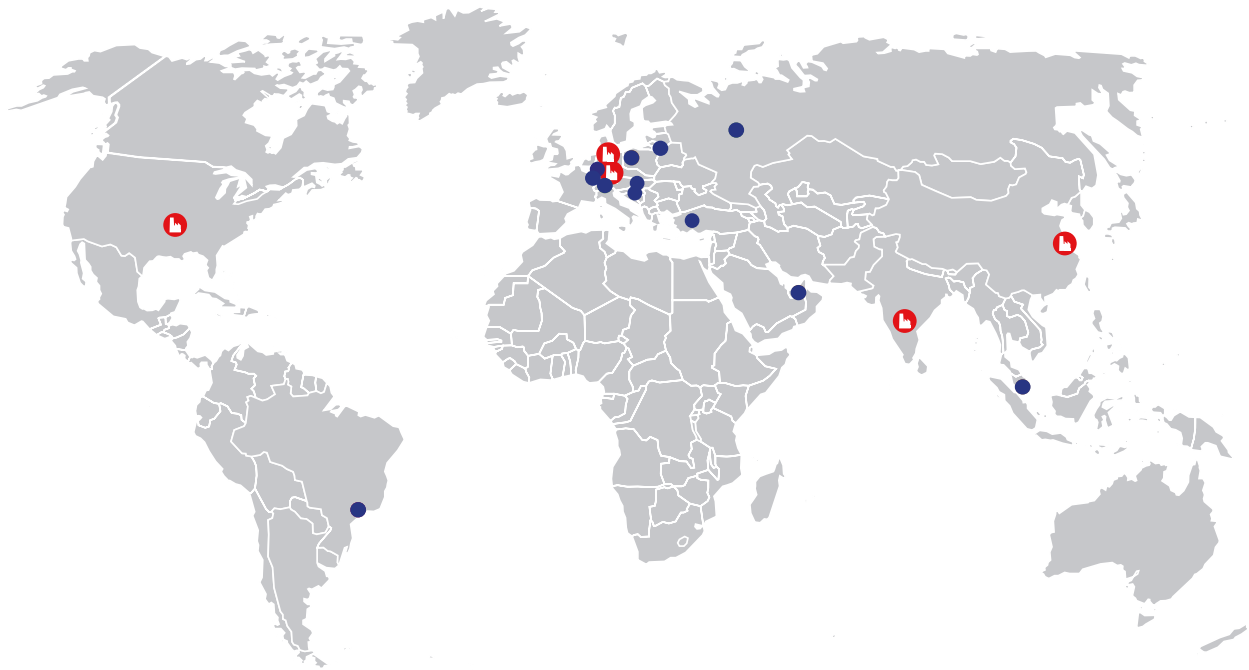
Contact us now

 05271 964-000  [spares@reitzgroup.com](mailto:spares@reitzgroup.com)

## Quality is our passion

As an owner-managed family business from one of the most significant engineering regions in Germany employing over 750 personnel around the world, REITZ is one of the leading providers of process engineering industrial fans.

We support our customers in every economic region of the world with engineering made in Germany, uniform product quality and comprehensive services.



### **Reitz Holding GmbH & Co. KG**

Konrad-Reitz-Strasse 1  
37671 Hörter-Albaxen  
+49 5271 964000  
[info@reitzgroup.com](mailto:info@reitzgroup.com)  
[www.reitzgroup.com](http://www.reitzgroup.com)