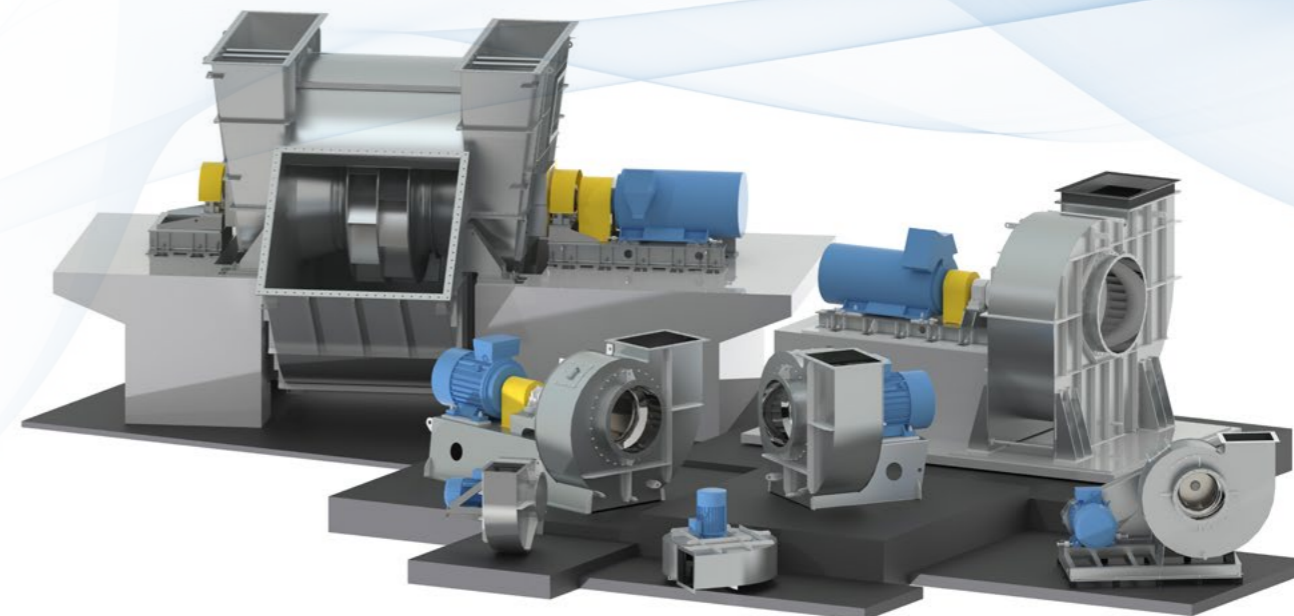


Anything is  
Possible!

Reitz Top Performances

# Reitz top performances

# Complete range



### Performance parameters

		Complete range	
		min.	max.
$\Delta p_t$	daPa	80	3.550
V	m <sup>3</sup> /min	5	37.000
n	U/min	750	3.600
P <sub>Mot</sub>	kW	1,1	10.000
t	°C	-50	+600

### Design variants

ATEX	✓
Wear protection	✓
Corrosion protection	✓
Pressure shock proof	✓
Liquid-tight Dustproof	✓
Gasproof	✓
Hygienic design	✓

### Top performances

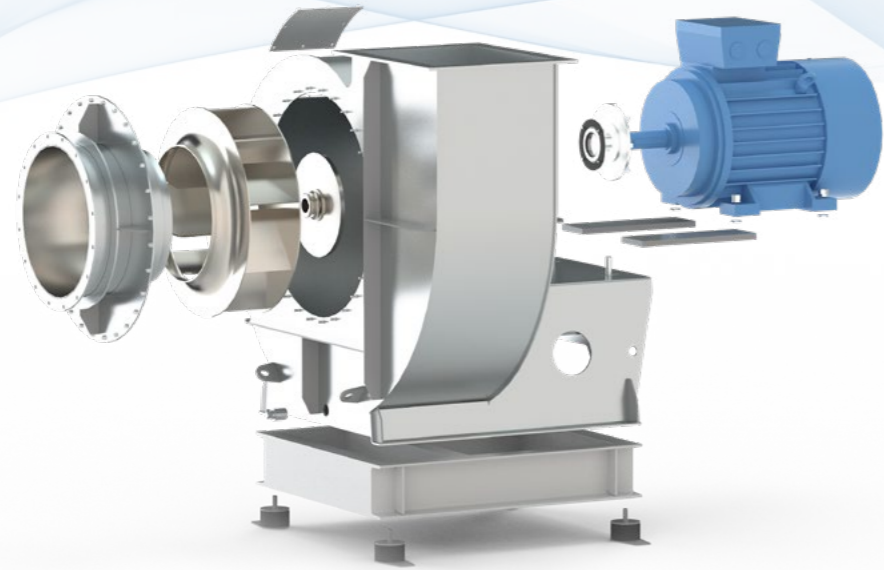
#### Technical data

Technical data				Type	Order
Motor power	P <sub>Mot</sub>	5.600	kW	KBZ 200-2240010	239641-000
Shaft power	P <sub>w</sub>	4.545	kW	KBZ 200-2240010	239641-000
Volume	V	1.440.000	m <sup>3</sup> /h	KBZ 200-2240010	239641-000
Total pressure increase	$\Delta p_t$	53.590	Pa	KXE 475-125036	330543-000
max. Temperature - Medium	t <sub>1</sub>	550	°C	RGE 080-000930	162798-000
max. Temperature - Design	t <sub>Design</sub>	600	°C	KXE 250-250015	244451-000
min. Temperature - Ambient	t <sub>Ambient - min</sub>	-53	°C	KXE 040-125015	274236-000
max. Temperature - Ambient	t <sub>Ambient - max</sub>	+55	°C	KBE 080-560010	312315-316
Rotational speed	n	6.000	rpm	MXE 180-002560	327414-000
Tip speed	u <sub>2</sub>	271	m/s	KXE 475-125036	330543-000
Impeller diameter	D <sub>2</sub>	3.605	mm	KBZ 200-2240010	239641-000

The references published in this brochure refer to productions of Konrad Reitz Ventilatoren at the Höxter site.

In case that some top performances exceed the indicated performance parameters of the respective designs, this is to be justified by special designs on customer request.

# Structural design MXE



## Performance parameters

		MXE		Complete range	
		min.	max.	min.	max.
$\Delta p_t$	daPa	100	3.150	80	3.550
<b>V</b>	<b>m<sup>3</sup>/min</b>	5	2.000	5	37.000
<b>n</b>	<b>U/min</b>	1.000	3.600	750	3.600
<b>P<sub>Mot</sub></b>	<b>kW</b>	1,1	355	1,1	10.000
<b>t</b>	<b>°C</b>	-20	+300	-50	+600

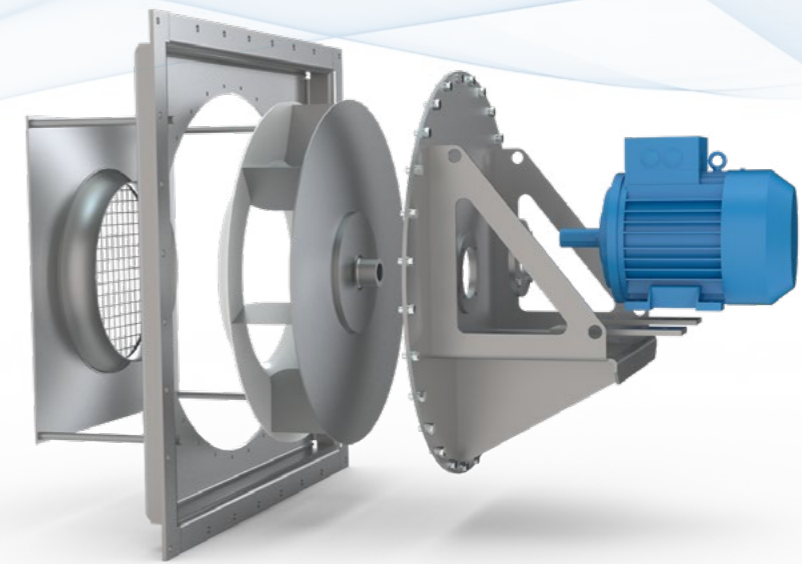
## Design variants

<b>ATEX</b>	✓
<b>Wear protection</b>	✓
<b>Corrosion protection</b>	✓
<b>Pressure shock proof</b>	✓
<b>Liquid-tight Dustproof</b>	✓
<b>Gasproof</b>	✓
<b>Hygienic design</b>	✓

## Top performances

Technical data				Type	Order
Motor power	<b>P<sub>Mot</sub></b>	315	kW	MXE125-125030	385675-000
Shaft power	<b>P<sub>w</sub></b>	275	kW	MXE125-125030	385675-000
Volume	<b>V</b>	104.502	m <sup>3</sup> /h	MXE035-015018	313208-000
Total pressure increase	<b>Δp<sub>t</sub></b>	31.950	Pa	MXE315-012530	370061-000
max. Temperature - Medium	<b>t<sub>1</sub></b>	300	°C	MXE100-063036	332979-000
max. Temperature - Design	<b>t<sub>Design</sub></b>	300	°C	MXE100-063036	332979-000
min. Temperature - Ambient	<b>t<sub>Ambient - min</sub></b>	-53	°C	MXE050-071015	274231-000
max. Temperature - Ambient	<b>t<sub>Ambient - max</sub></b>	+40	°C	Standard Range	
Rotational speed	<b>n</b>	6.000	rpm	MXE180-002560	327414-000
Tip speed	<b>u<sub>2</sub></b>	220	m/s	MXE315-002530	281530-000
Impeller diameter	<b>D<sub>2</sub></b>	1.535	mm	MXE112-040015	312922-000

# Structural design MEE



## Performance parameters

		MEE		Complete range	
		min.	max.	min.	max.
$\Delta p_t$	daPa	80	250	80	3.550
<b>V</b>	<b>m<sup>3</sup>/min</b>	100	1.400	5	37.000
<b>n</b>	<b>U/min</b>	1.000	3.600	750	3.600
<b>P<sub>Mot</sub></b>	<b>kW</b>	1,1	90	1,1	10.000
<b>t</b>	<b>°C</b>	-20	+500	-50	+600

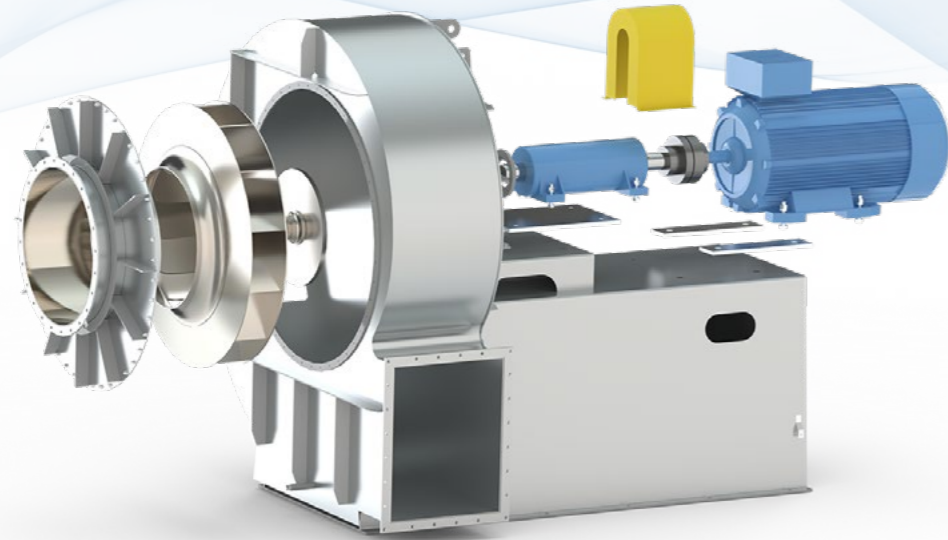
## Design variants

<b>ATEX</b>	
<b>Wear protection</b>	
<b>Corrosion protection</b>	✓
<b>Pressure shock proof</b>	
<b>Liquid-tight Dustproof</b>	
<b>Gasproof</b>	
<b>Hygienic design</b>	✓

## Top performances

Technical data				Type	Order
Motor power	<b>P<sub>Mot</sub></b>	90	kW	MEE028-132015	383284-285
Shaft power	<b>P<sub>w</sub></b>	77	kW	MEE035-190012	383284-285
Volume	<b>V</b>	79.980	m <sup>3</sup> /h	MEE035-190012	383284-285
Total pressure increase	<b>Δp<sub>t</sub></b>	5.920	Pa	MEE063-050015	189594-601
max. Temperature - Medium	<b>t<sub>1</sub></b>	450	°C	MEE80-400	316731-000
max. Temperature - Design	<b>t<sub>Design</sub></b>	850	°C	MEE080-355	394741-000
min. Temperature - Ambient	<b>t<sub>Ambient - min</sub></b>	-20	°C	Standard Range	
max. Temperature - Ambient	<b>t<sub>Ambient - max</sub></b>	+40	°C	Standard Range	
Rotational speed	<b>n</b>	3.480	rpm	MEE031-004530	287017-000
Tip speed	<b>u<sub>2</sub></b>	98	m/s	MEE050-050018	366954-000
Impeller diameter	<b>D<sub>2</sub></b>	1235	mm	MEE063-050015	189594-601

# Structural design KXE



## Performance parameters

		KXE		Complete range	
		min.	max.	min.	max.
<b>Δpt</b>	<b>daPa</b>	100	3.550	80	3.550
<b>V</b>	<b>m<sup>3</sup>/min</b>	5	7.100	5	37.000
<b>n</b>	<b>U/min</b>	1.000	3.600	750	3.600
<b>P<sub>Mot</sub></b>	<b>kW</b>	1,1	1.500	1,1	10.000
<b>t</b>	<b>°C</b>	-50	+600	-50	+600

## Design variants

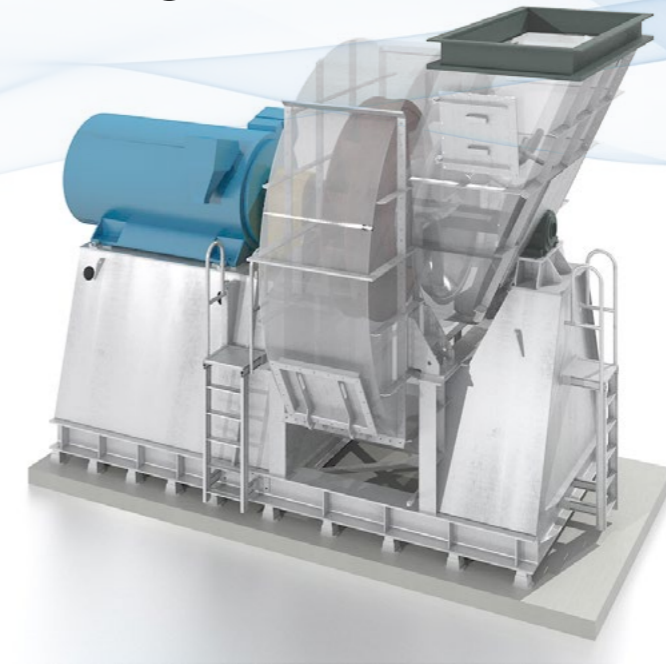
<b>ATEX</b>	✓
<b>Wear protection</b>	✓
<b>Corrosion protection</b>	✓
<b>Pressure shock proof</b>	✓
<b>Liquid-tight Dustproof</b>	✓
<b>Gasproof</b>	✓
<b>Hygienic design</b>	✓

## Top performances

### Technical data

Technical data				Type	Order
Motor power	<b>P<sub>Mot</sub></b>	1.250	kW	KXE100-500010	194778-000
Shaft power	<b>P<sub>w</sub></b>	1.120	kW	KXE475-125036	330543-000
Volume	<b>V</b>	428.640	m <sup>3</sup> /h	KXE050-710007	177000-000
Total pressure increase	<b>Δpt</b>	46.580	Pa	KXE475-125036	330543-000
max. Temperature - Medium	<b>t<sub>1</sub></b>	420	°C	KXE250-250015	244451-000
max. Temperature - Design	<b>t<sub>Design</sub></b>	600	°C	KXE250-250015	244451-000
min. Temperature - Ambient	<b>t<sub>Ambient - min</sub></b>	-53	°C	KXE250-250015	274236-000
max. Temperature - Ambient	<b>t<sub>Ambient - max</sub></b>	+40	°C	Standard Range	
Rotational speed	<b>n</b>	3.612	rpm	KXE475-125036	330543-000
Tip speed	<b>u<sub>2</sub></b>	271	m/s	KXE475-125036	330543-000
Impeller diameter	<b>D<sub>2</sub></b>	2.770	mm	KXE050-710007	177000-000

# Structural design KXA



## Performance parameters

		KXA		Complete range	
		min.	max.	min.	max.
<b>Δpt</b>	<b>daPa</b>	500	3.550	80	3.550
<b>V</b>	<b>m<sup>3</sup>/min</b>	500	8.000	5	37.000
<b>n</b>	<b>U/min</b>	1.000	3.600	750	3.600
<b>P<sub>Mot</sub></b>	<b>kW</b>	55	1.500	1,1	10.000
<b>t</b>	<b>°C</b>	-50	+500	-50	+600

## Design variants

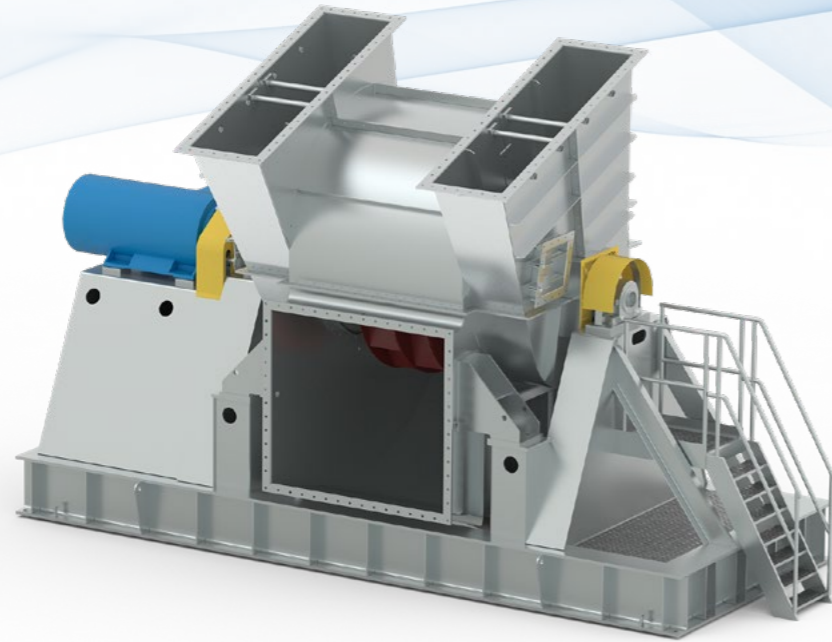
<b>ATEX</b>	✓
<b>Wear protection</b>	✓
<b>Corrosion protection</b>	✓
<b>Pressure shock proof</b>	✓
<b>Liquid-tight Dustproof</b>	✓
<b>Gasproof</b>	✓
<b>Hygienic design</b>	✓

## Top performances

### Technical data

Technical data				Type	Order
Motor power	<b>P<sub>Mot</sub></b>	1.250	kW	KXA200-400015	239942-000
Shaft power	<b>P<sub>w</sub></b>	1.116	kW	KXA200-400015	239942-000
Volume	<b>V</b>	493.020	m <sup>3</sup> /h	KXA050-710010	186768-000
Total pressure increase	<b>Δpt</b>	24.510	Pa	KXA250-050015	298959-000
max. Temperature - Medium	<b>t<sub>1</sub></b>	380	°C	KXA160-160010	372225-000
max. Temperature - Design	<b>t<sub>Design</sub></b>	500	°C	KXA100-250015	333856-000
min. Temperature - Ambient	<b>t<sub>Ambient - min</sub></b>	-35	°C	KXA125-500015	280800-000
max. Temperature - Ambient	<b>t<sub>Ambient - max</sub></b>	+40	°C	Standard Range	
Rotational speed	<b>n</b>	2.673	rpm	KXA280-008030	222982-000
Tip speed	<b>u<sub>2</sub></b>	187	m/s	KXA250-050015	298959-000
Impeller diameter	<b>D<sub>2</sub></b>	2.790	mm	KXA160-160010	372225-000

# Structural design KXZ



## Performance parameters

		KXZ		Complete range	
		min.	max.	min.	max.
$\Delta p_t$	daPa	160	630	80	3.550
<b>V</b>	<b>m<sup>3</sup>/min</b>	1120	9000	5	37.000
<b>n</b>	<b>U/min</b>	750	1800	750	3.600
<b>P<sub>Mot</sub></b>	<b>kW</b>	75	1000	1,1	10.000
<b>t</b>	<b>°C</b>	-50	+500	-50	+600

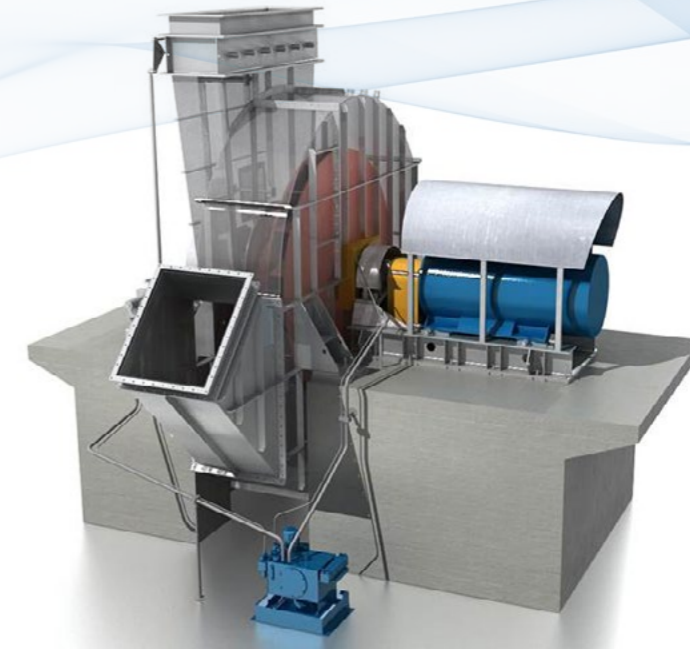
## Design variants

<b>ATEX</b>	✓
<b>Wear protection</b>	✓
<b>Corrosion protection</b>	✓
<b>Pressure shock proof</b>	✓
<b>Liquid-tight Dustproof</b>	✓
<b>Gasproof</b>	✓
<b>Hygienic design</b>	✓

## Top performances

Technical data				Type	Order
Motor power	<b>P<sub>Mot</sub></b>	1.000	kW	KXZ063-900010	298635-000
Shaft power	<b>P<sub>w</sub></b>	861	kW	KXZ063-900010	298635-000
Volume	<b>V</b>	565.800	m <sup>3</sup> /h	KXZ025-900007	273485-000
Total pressure increase	<b><math>\Delta p_t</math></b>	5.040	Pa	KXZ063-900010	298635-000
max. Temperature - Medium	<b>t<sub>1</sub></b>	232	°C	KXZ040-250010	290231-000
max. Temperature - Design	<b>t<sub>Design</sub></b>	300	°C	KXZ050-450010	235730-000
min. Temperature - Ambient	<b>t<sub>Ambient - min</sub></b>	-20	°C	Standard Range	
max. Temperature - Ambient	<b>t<sub>Ambient - max</sub></b>	+40	°C	Standard Range	
Rotational speed	<b>n</b>	1.538	rpm	KXZ020-112015	273702-000
Tip speed	<b>u<sub>2</sub></b>	115	m/s	KXZ063-900010	298635-000
Impeller diameter	<b>D<sub>2</sub></b>	2.360	mm	KXZ025-900007	273485-000

# Structural design KBA



## Performance parameters

		KBA		Complete range	
		min.	max.	min.	max.
$\Delta p_t$	daPa	500	3.550	80	3.550
<b>V</b>	<b>m<sup>3</sup>/min</b>	800	20.000	5	37.000
<b>n</b>	<b>U/min</b>	1.000	1.800	750	3.600
<b>P<sub>Mot</sub></b>	<b>kW</b>	132	5.000	1,1	10.000
<b>t</b>	<b>°C</b>	-50	+500	-50	+600

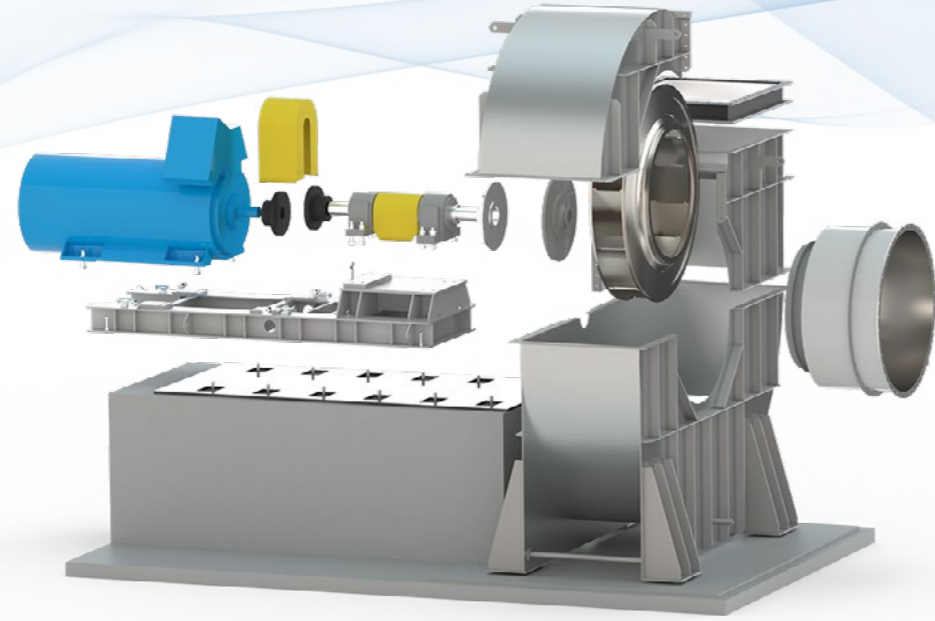
## Design variants

<b>ATEX</b>	✓
<b>Wear protection</b>	✓
<b>Corrosion protection</b>	✓
<b>Pressure shock proof</b>	✓
<b>Liquid-tight Dustproof</b>	✓
<b>Gasproof</b>	✓
<b>Hygienic design</b>	✓

## Top performances

Technical data				Type	Order
Motor power	<b>P<sub>Mot</sub></b>	3.000	kW	KBA250-500015	318070-073
Shaft power	<b>P<sub>w</sub></b>	2.495	kW	KBA140-1250010	213806-000
Volume	<b>V</b>	752.400	m <sup>3</sup> /h	KBA140-1250010	213806-000
Total pressure increase	<b><math>\Delta p_t</math></b>	53.590	Pa	KBA560-125015	245000-000
max. Temperature - Medium	<b>t<sub>1</sub></b>	400	°C	KBA200-200010	369528-000
max. Temperature - Design	<b>t<sub>Design</sub></b>	500	°C	KBA250-400015	314244-000
min. Temperature - Ambient	<b>t<sub>Ambient - min</sub></b>	-42	°C	KBA100-315015	314275-000
max. Temperature - Ambient	<b>t<sub>Ambient - max</sub></b>	+40	°C	Standard Range	
Rotational speed	<b>n</b>	1.503	rpm	KBA450-400015	327200-000
Tip speed	<b>u<sub>2</sub></b>	242	m/s	KBA450-400015	327200-000
Impeller diameter	<b>D<sub>2</sub></b>	3.600	mm	KBA200-800010	213623-625

# Structural design KBE



## Performance parameters

		KBE		Complete range	
		min.	max.	min.	max.
$\Delta p_t$	daPa	250	3.550	80	3.550
<b>V</b>	<b>m<sup>3</sup>/min</b>	800	20.000	5	37.000
<b>n</b>	<b>U/min</b>	1.000	1.800	750	3.600
<b>P<sub>Mot</sub></b>	<b>kW</b>	132	5.000	1,1	10.000
<b>t</b>	<b>°C</b>	-50	+500	-50	+600

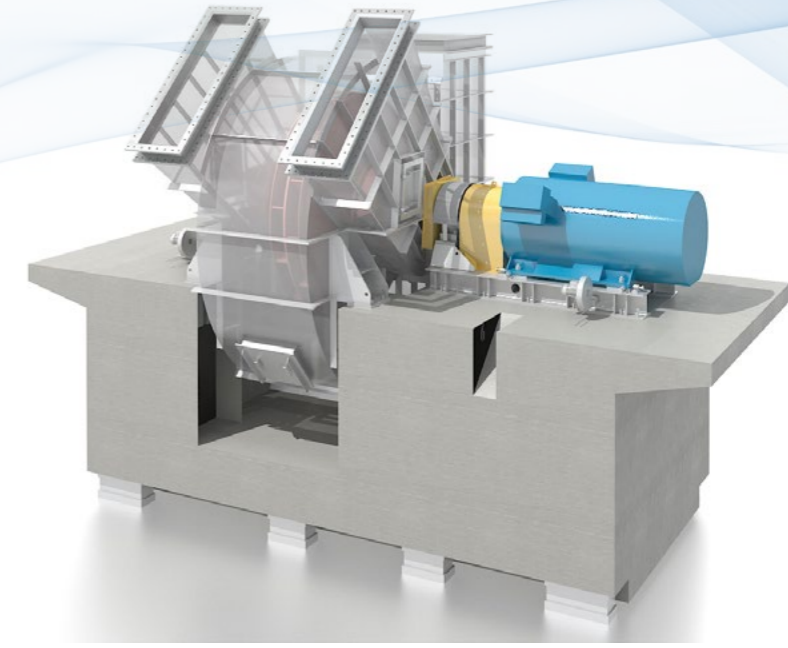
## Design variants

<b>ATEX</b>	✓
<b>Wear protection</b>	✓
<b>Corrosion protection</b>	✓
<b>Pressure shock proof</b>	✓
<b>Liquid-tight Dustproof</b>	✓
<b>Gasproof</b>	✓
<b>Hygienic design</b>	✓

## Top performances

Technical data				Type	Order
Motor power	<b>P<sub>Mot</sub></b>	2.300	kW	KBE100-1400010	377733-736
Shaft power	<b>P<sub>w</sub></b>	1.832	kW	KBE100-1400010	377733-736
Volume	<b>V</b>	860.400	m <sup>3</sup> /h	KBE100-1400010	377733-736
Total pressure increase	<b><math>\Delta p_t</math></b>	14.260	Pa	KBE250-250015	352883-000
max. Temperature - Medium	<b>t<sub>1</sub></b>	380	°C	KBE080-900010	217505-000
max. Temperature - Design	<b>t<sub>Design</sub></b>	500	°C	KBE071-850010	329393-000
min. Temperature - Ambient	<b>t<sub>Ambient - min</sub></b>	-50	°C	KBE080-900012	353760-000
max. Temperature - Ambient	<b>t<sub>Ambient - max</sub></b>	+55	°C	KBE080-560010	312315-316
Rotational speed	<b>n</b>	1.780	rpm	KBE100-250018	290307-000
Tip speed	<b>u<sub>2</sub></b>	187	m/s	KBE250-250015	352883-000
Impeller diameter	<b>D<sub>2</sub></b>	3.340	mm	KBE100-1400010	377733-736

# Structural design KBZ



## Performance parameters

		KBZ		Complete range	
		min.	max.	min.	max.
$\Delta p_t$	daPa	315	3.550	80	3.550
<b>V</b>	<b>m<sup>3</sup>/min</b>	800	37.000	5	37.000
<b>n</b>	<b>U/min</b>	1.000	1.800	750	3.600
<b>P<sub>Mot</sub></b>	<b>kW</b>	132	10.000	1,1	10.000
<b>t</b>	<b>°C</b>	-50	+500	-50	+600

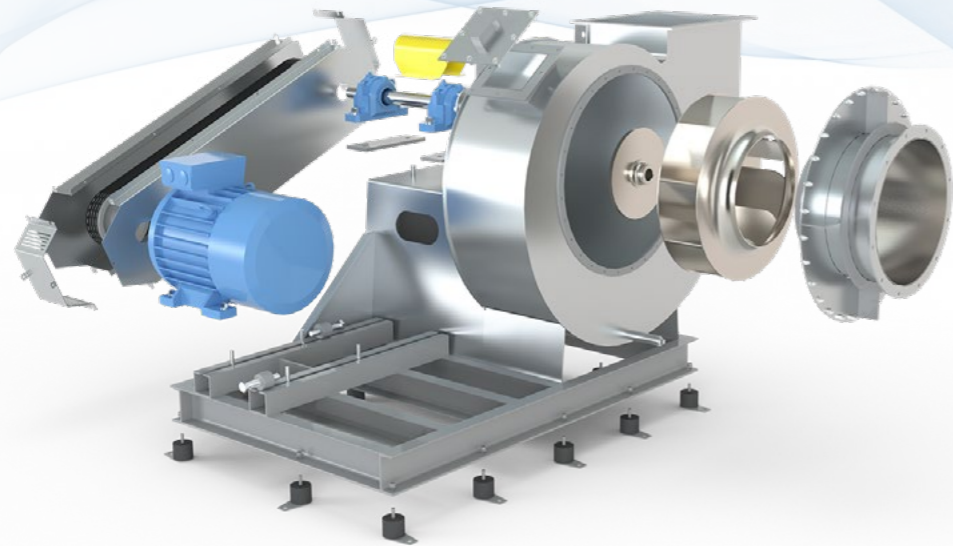
## Design variants

<b>ATEX</b>	✓
<b>Wear protection</b>	✓
<b>Corrosion protection</b>	✓
<b>Pressure shock proof</b>	✓
<b>Liquid-tight Dustproof</b>	✓
<b>Gasproof</b>	✓
<b>Hygienic design</b>	✓

## Top performances

Technical data				Type	Order
Motor power	<b>P<sub>Mot</sub></b>	5.600	kW	KBZ200-2240010	239641-000
Shaft power	<b>P<sub>w</sub></b>	4.845	kW	KBZ200-2240010	239641-000
Volume	<b>V</b>	1.440.000	m <sup>3</sup> /h	KBZ200-2240010	239641-000
Total pressure increase	<b><math>\Delta p_t</math></b>	33.570	Pa	KBZ250-400015	283236-000
max. Temperature - Medium	<b>t<sub>1</sub></b>	460	°C	KBZ040-900010	316232-000
max. Temperature - Design	<b>t<sub>Design</sub></b>	500	°C	KBZ063-900010	260773-000
min. Temperature - Ambient	<b>t<sub>Ambient - min</sub></b>	-45	°C	KBZ025-710008	286666-000
max. Temperature - Ambient	<b>t<sub>Ambient - max</sub></b>	+40	°C	Standard Range	
Rotational speed	<b>n</b>	1.569	rpm	KBZ355-500015	247018-020
Tip speed	<b>u<sub>2</sub></b>	234	m/s	KBZ355-500015	247018-020
Impeller diameter	<b>D<sub>2</sub></b>	3.605	mm	KBZ200-2240010	239641-000

# Structural design RGE



## Performance parameters

		RGE		Complete range	
		min.	max.	min.	max.
<b>Δpt</b>	<b>daPa</b>	125	3.150	80	3.550
<b>V</b>	<b>m<sup>3</sup>/min</b>	5	5.000	5	37.000
<b>n</b>	<b>U/min</b>	750	3.600	750	3.600
<b>P<sub>Mot</sub></b>	<b>kW</b>	1,1	450	1,1	10.000
<b>t</b>	<b>°C</b>	-50	+500	-50	+600

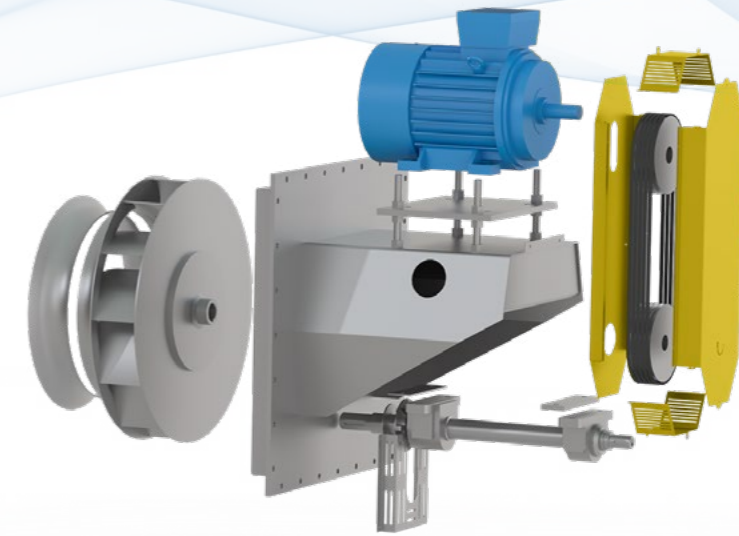
## Design variants

<b>ATEX</b>	✓
<b>Wear protection</b>	✓
<b>Corrosion protection</b>	✓
<b>Pressure shock proof</b>	✓
<b>Liquid-tight Dustproof</b>	✓
<b>Gasproof</b>	✓
<b>Hygienic design</b>	✓

## Top performances

Technical data				Type	Order
Motor power	<b>P<sub>Mot</sub></b>	450	kW	RGE045-335010	159162-000
Shaft power	<b>P<sub>w</sub></b>	382	kW	RGE045-335010	159162-000
Volume	<b>V</b>	297.180	m <sup>3</sup> /h	RGE045-425010	148617-000
Total pressure increase	<b>Δpt</b>	32.150	Pa	RGE315-003136	176459-000
max. Temperature - Medium	<b>t<sub>1</sub></b>	550	°C	RGE080-000930	162798-000
max. Temperature - Design	<b>t<sub>Design</sub></b>	600	°C	RGE080-000930	162798-000
min. Temperature - Ambient	<b>t<sub>Ambient - min</sub></b>	-50	°C	RGE045-425010	148617-000
max. Temperature - Ambient	<b>t<sub>Ambient - max</sub></b>	+40	°C	Standard Range	
Rotational speed	<b>n</b>	4.351	rpm	RGE100-006343	222582-000
Tip speed	<b>u<sub>2</sub></b>	209	m/s	RGE315-003136	176459-000
Impeller diameter	<b>D<sub>2</sub></b>	2.290	mm	RGE025-400006	155835-000

# Structural design REE



## Performance parameters

		REE		Complete range	
		min.	max.	min.	max.
<b>Δpt</b>	<b>daPa</b>	80	315	80	3.550
<b>V</b>	<b>m<sup>3</sup>/min</b>	100	2.120	5	37.000
<b>n</b>	<b>U/min</b>	1.000	3.600	750	3.600
<b>P<sub>Mot</sub></b>	<b>kW</b>	1,1	160	1,1	10.000
<b>t</b>	<b>°C</b>	-50	+600	-50	+600

## Design variants

<b>ATEX</b>	
<b>Wear protection</b>	
<b>Corrosion protection</b>	✓
<b>Pressure shock proof</b>	
<b>Liquid-tight Dustproof</b>	
<b>Gasproof</b>	
<b>Hygienic design</b>	✓

## Top performances

Technical data				Type	Order
Motor power	<b>P<sub>Mot</sub></b>	160	kW	MEE035-190012	383282-283
Shaft power	<b>P<sub>w</sub></b>	116	kW	MEE035-190012	383282-283
Volume	<b>V</b>	120480	m <sup>3</sup> /h	MEE025-212012	324325-336
Total pressure increase	<b>Δpt</b>	5960	Pa	MEE080-035530	244402-000
max. Temperature - Medium	<b>t<sub>1</sub></b>	400	°C	MEE035-075015	217649-000
max. Temperature - Design	<b>t<sub>Design</sub></b>	600	°C	MEE035-190012	383282-283
min. Temperature - Ambient	<b>t<sub>Ambient - min</sub></b>	-20	°C	Standard Range	
max. Temperature - Ambient	<b>t<sub>Ambient - max</sub></b>	+40	°C	Standard Range	
Rotational speed	<b>n</b>	2970	rpm	MEE080-035530	244402-000
Tip speed	<b>u<sub>2</sub></b>	117	m/s	MEE080-035530	244402-000
Impeller diameter	<b>D<sub>2</sub></b>	1538	mm	MEE035-190012	383282-283

# reitzgroup .com

**Reitz Holding GmbH & Co. KG**

Konrad-Reitz-Straße 1

37671 Höxter-Albaxen

+49 5271 964000

[info@reitzgroup.com](mailto:info@reitzgroup.com)